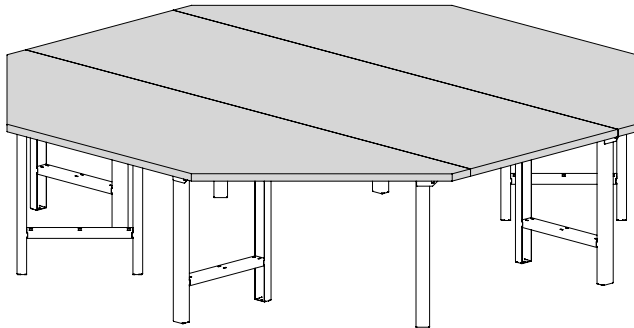
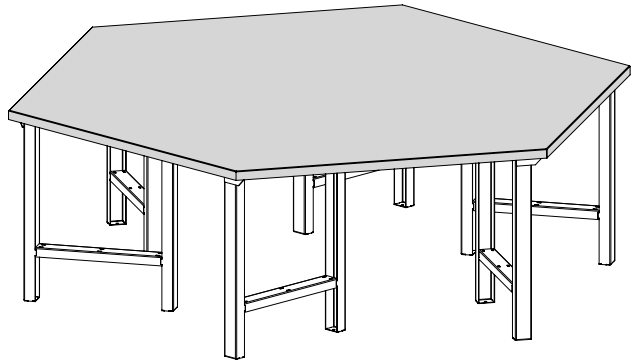


6

02 - 12



8

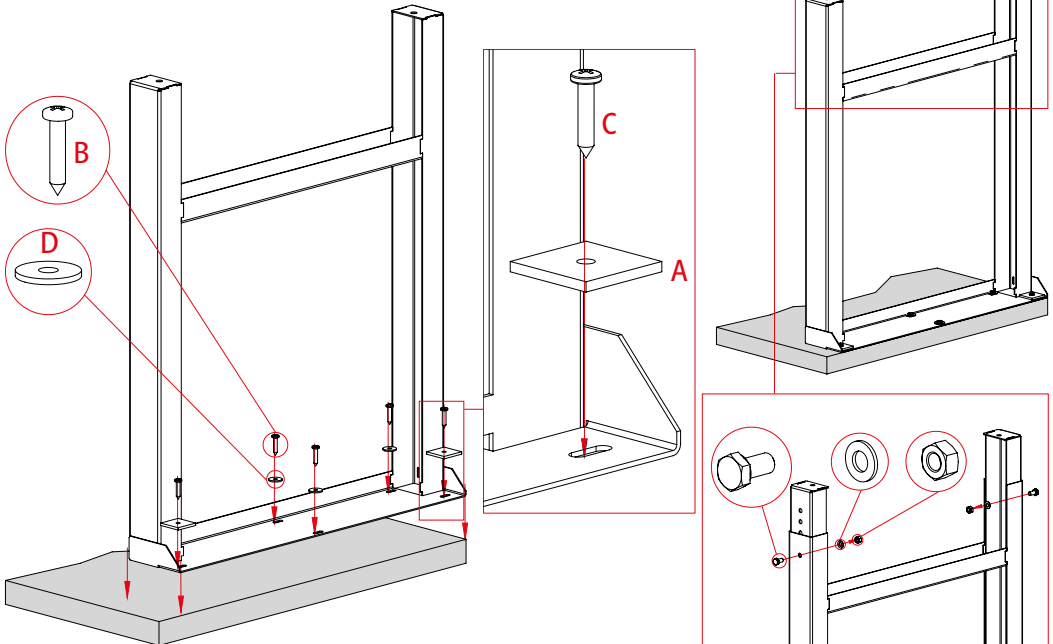
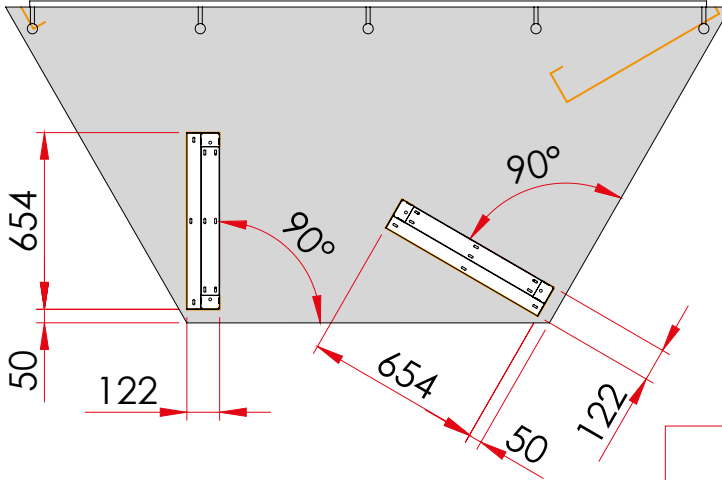
13 - 24

1

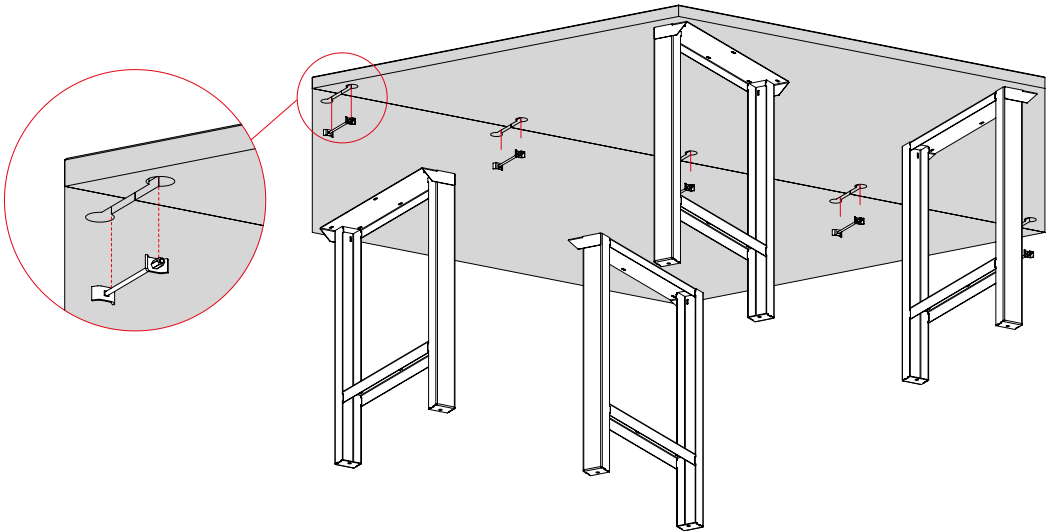
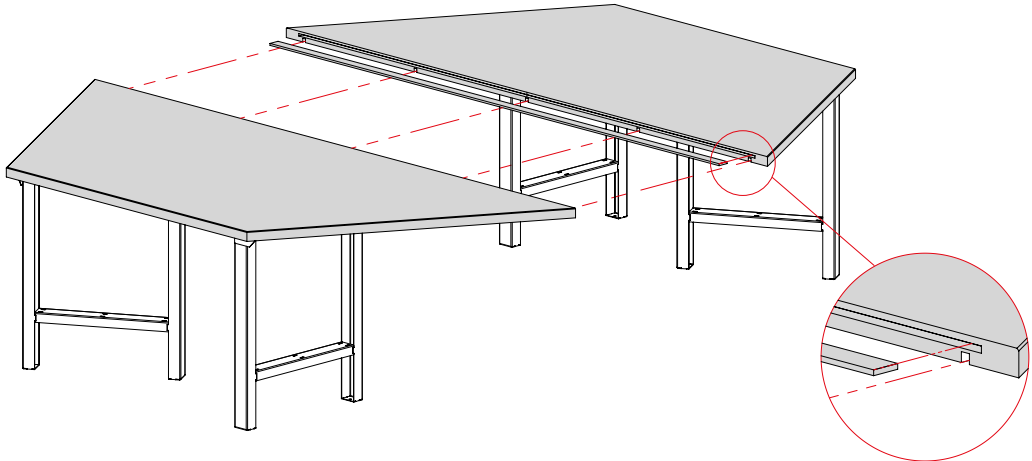
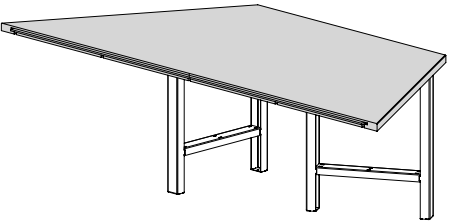
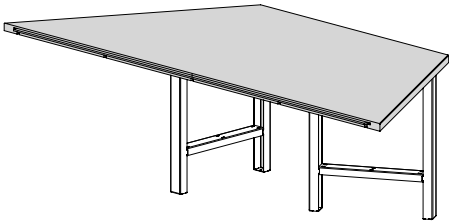
03-400-...



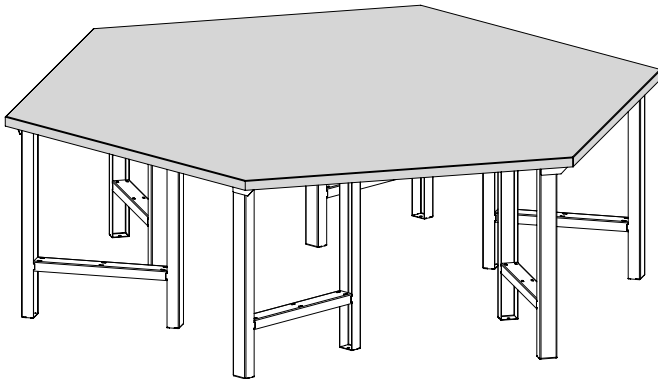
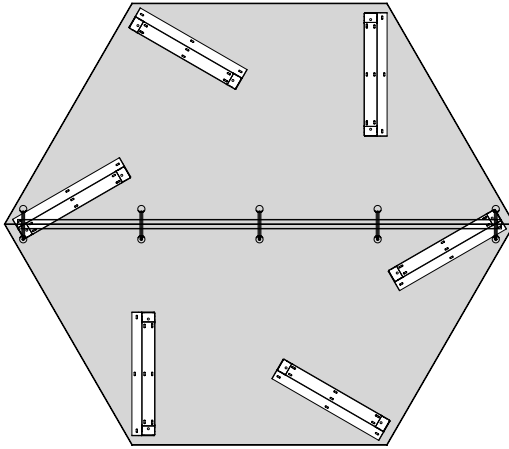
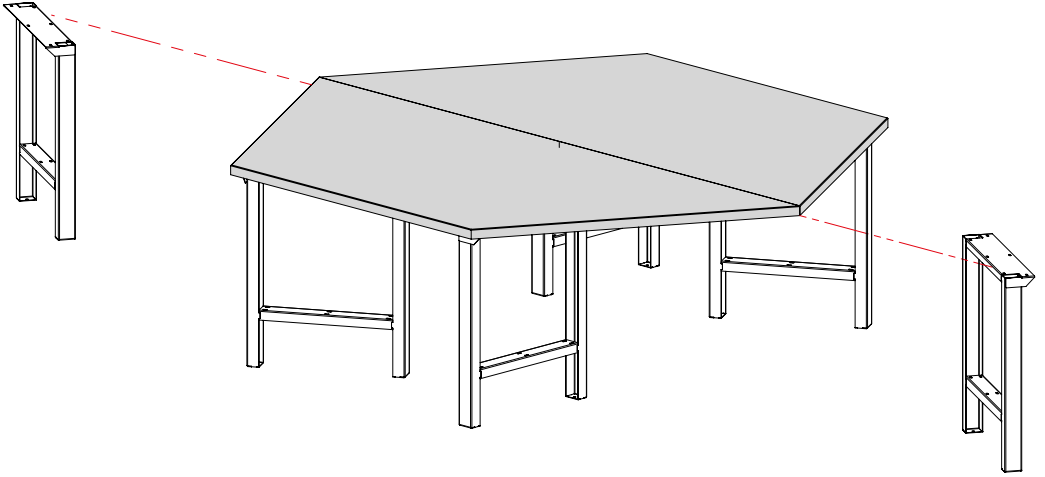
	A	12x Ø6mm	
	B	24x 6x30mm	
	C	12x 6x40mm	
	D	24x Ø6,6mm/ Ø22mm	
	E	5x	

1

2



3

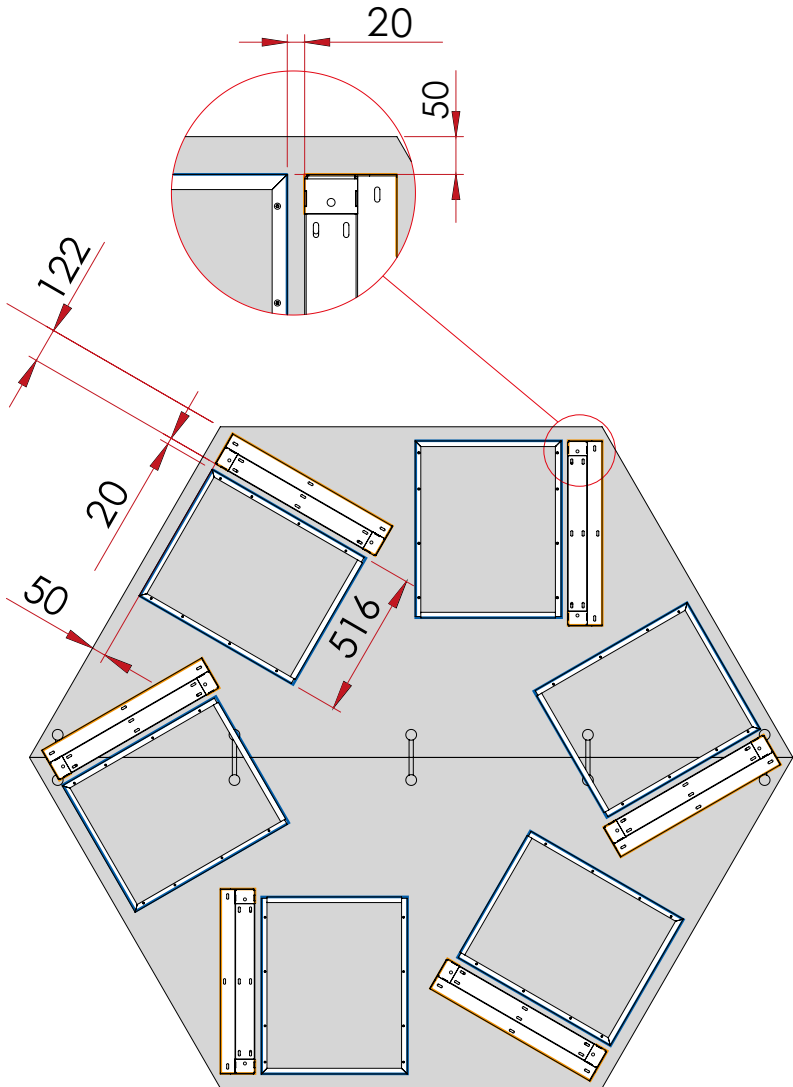


2

03-401-...



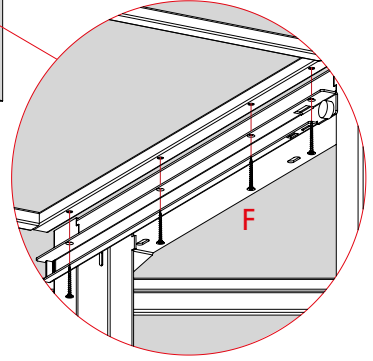
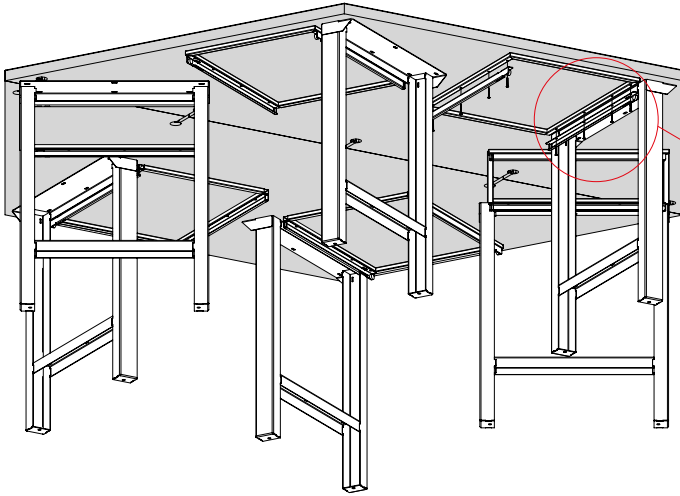
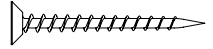
1



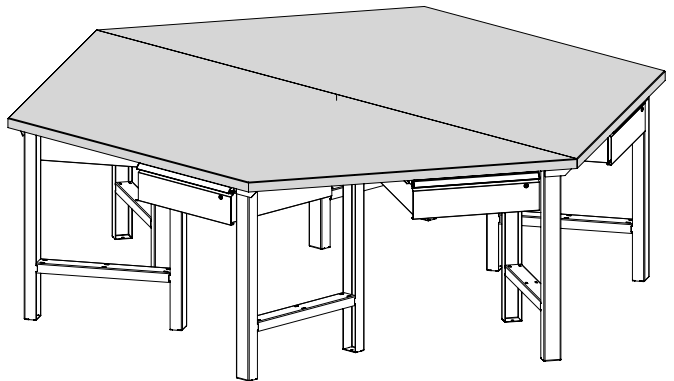
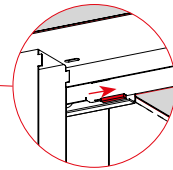
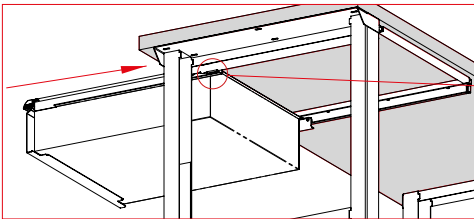
2



F 48x 3,5x35mm



3

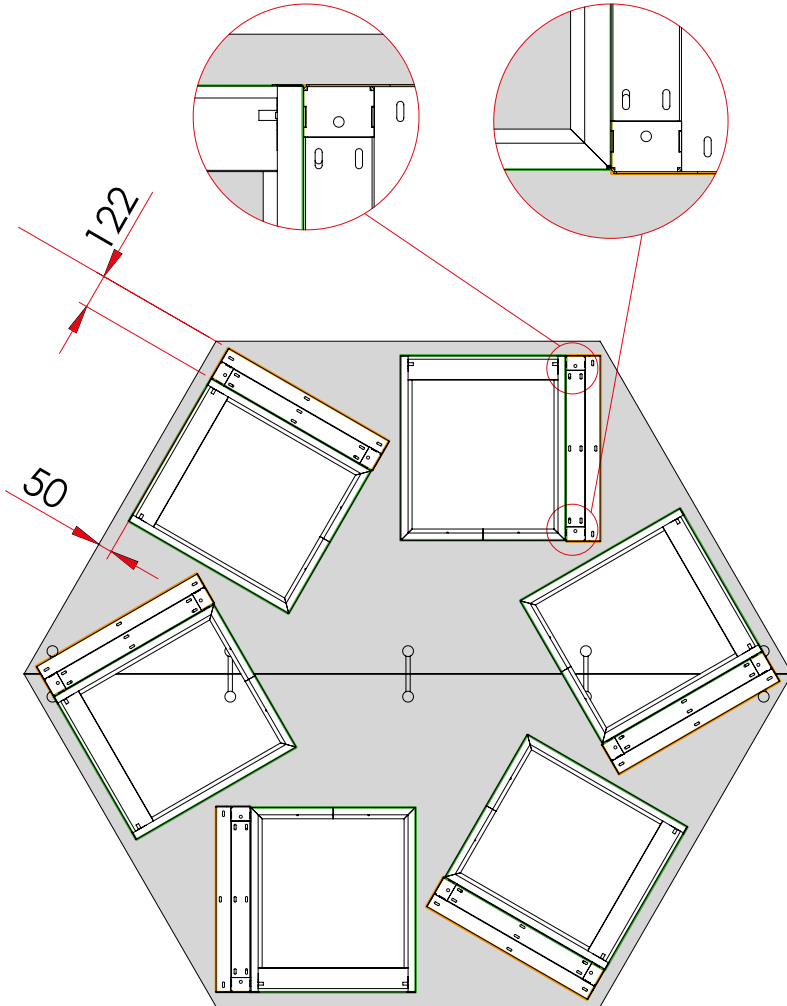


3

03-400-... + 03-L2-...
03-400-... + 13-L2-...

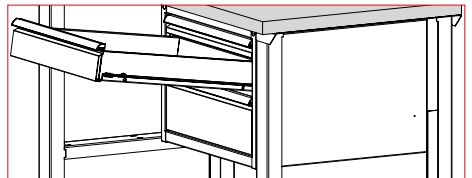
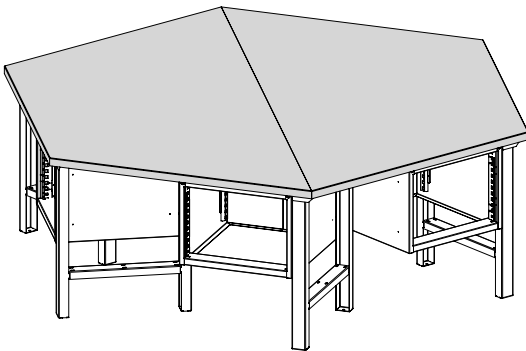
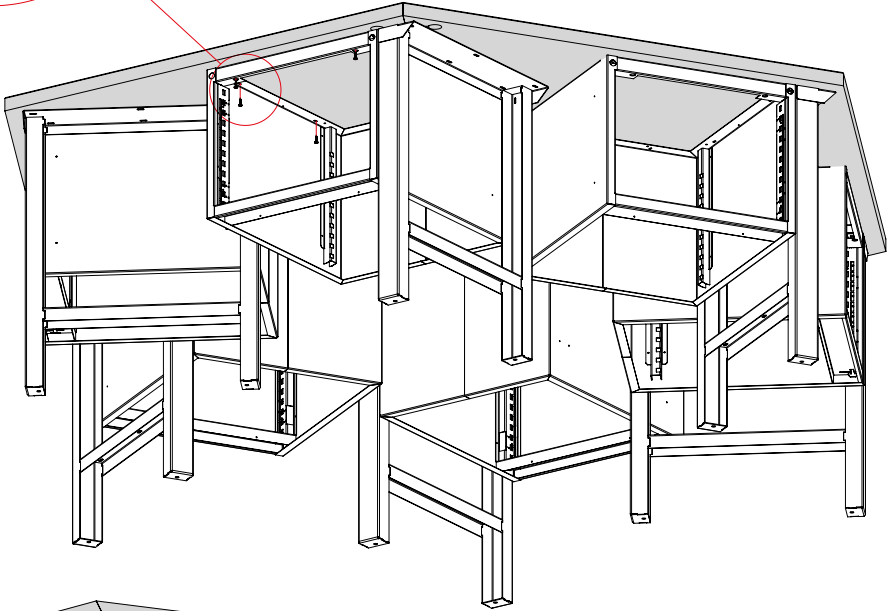
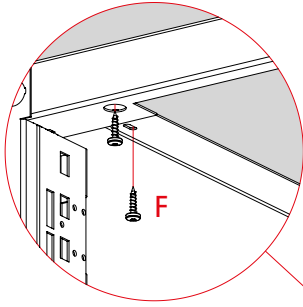
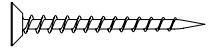


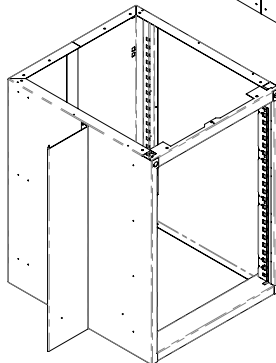
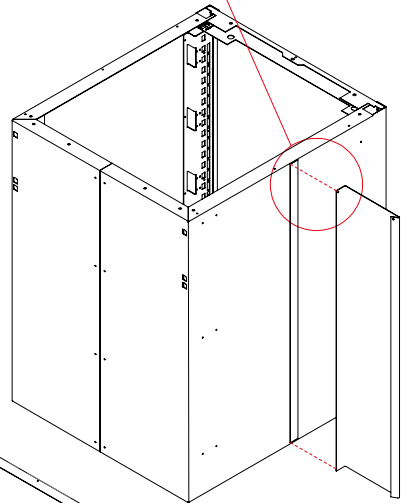
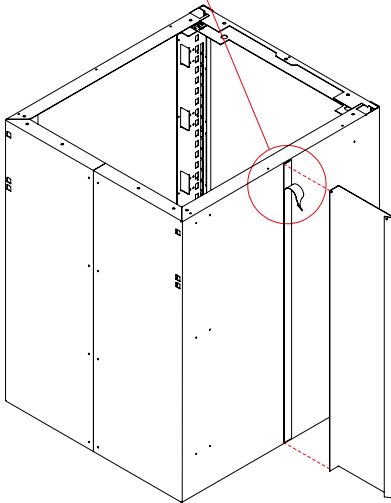
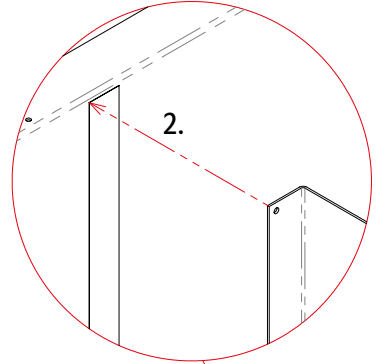
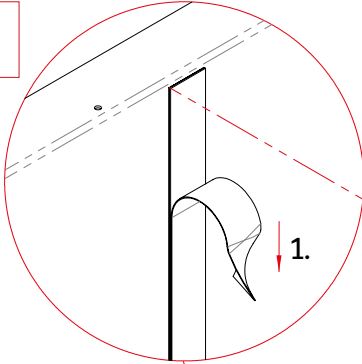
1

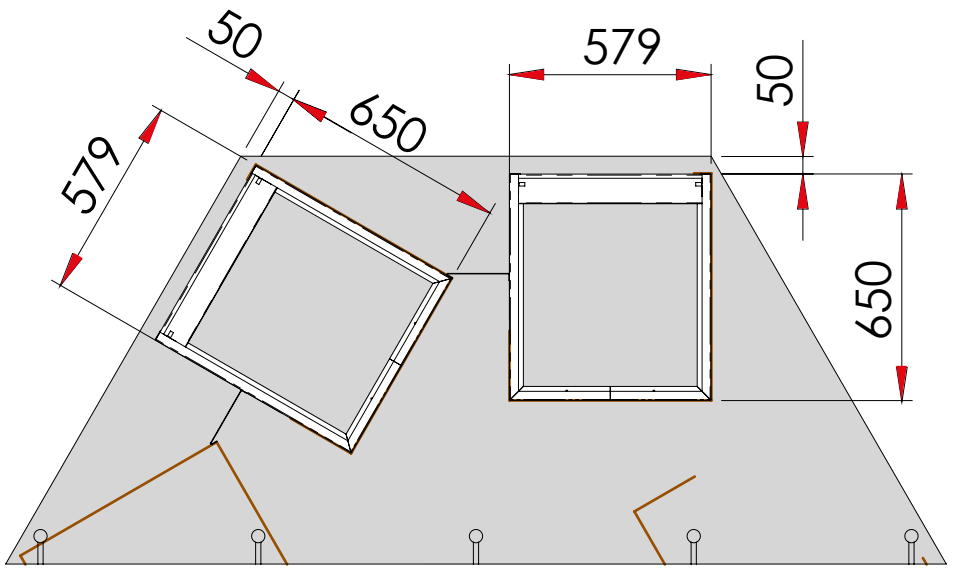



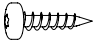




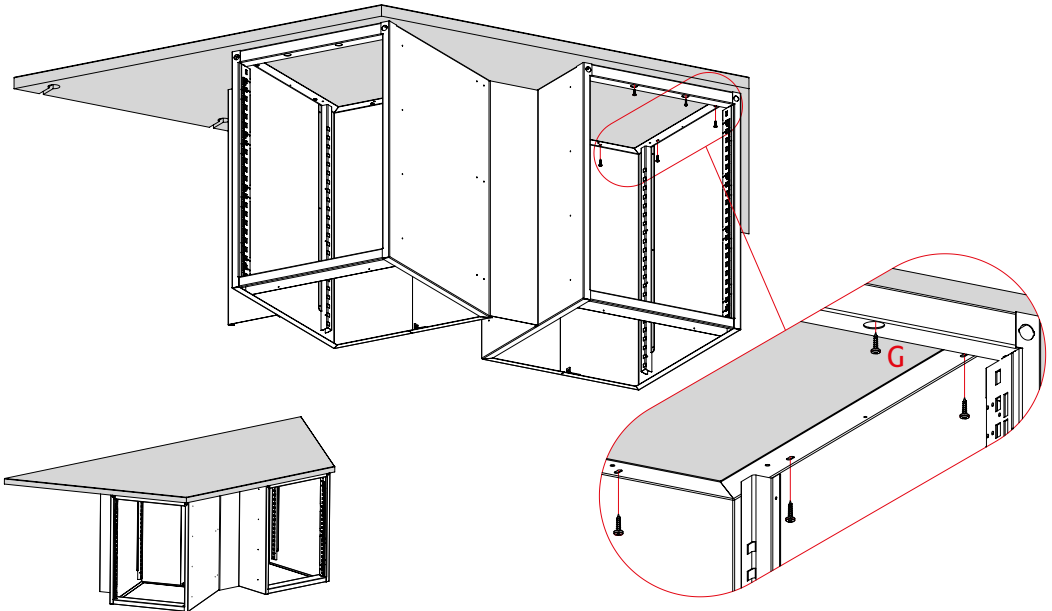
F 48x 3,5x35mm



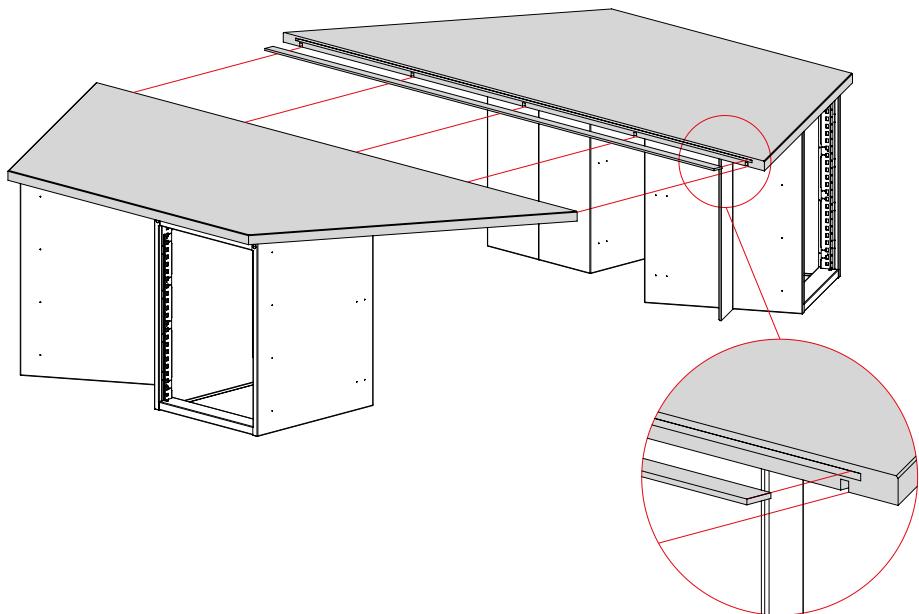


2**3**

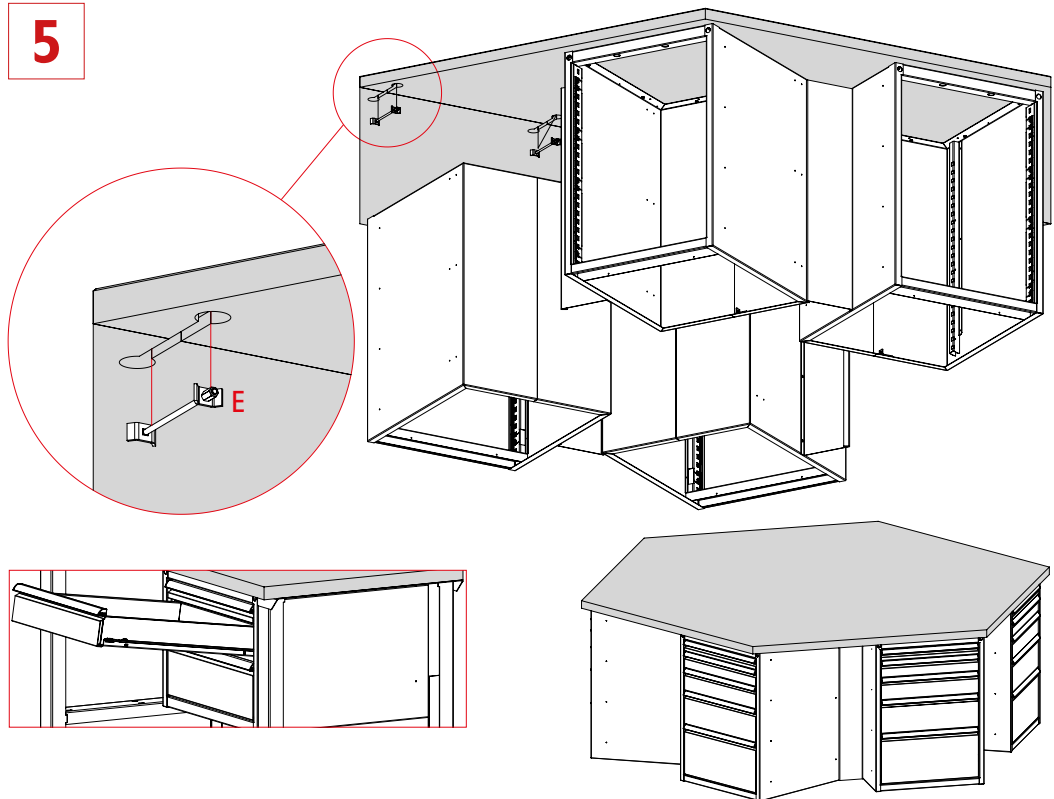
	G	48x 5x20mm	
	E	5x	



4




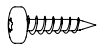

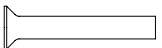
5

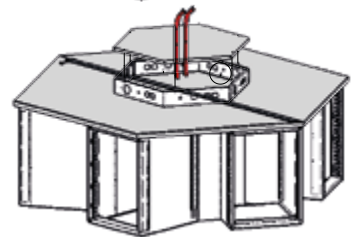
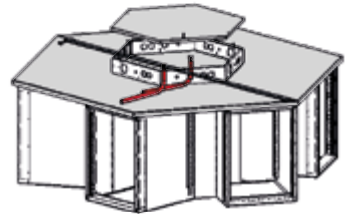
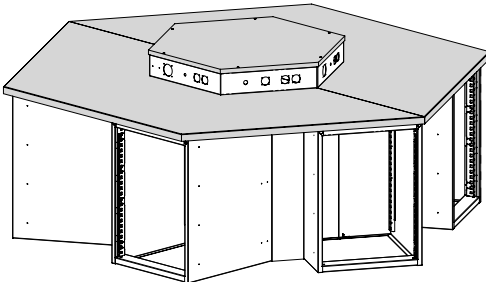
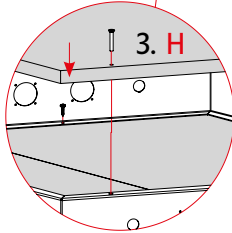
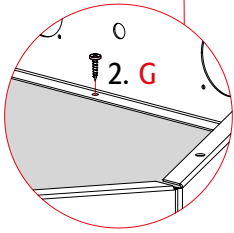
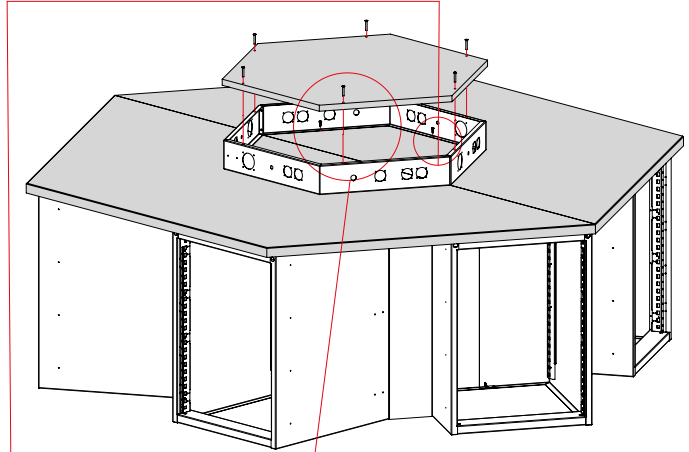
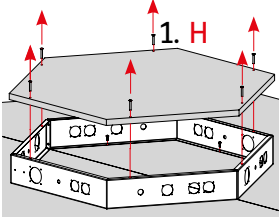


5

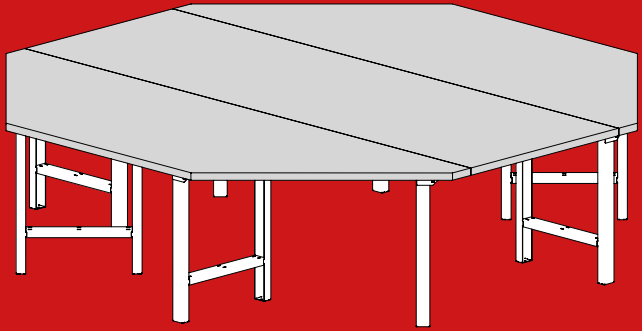
09-6-EA54...



	G	6x 5x20mm	
	H	6x M6x40 mm	



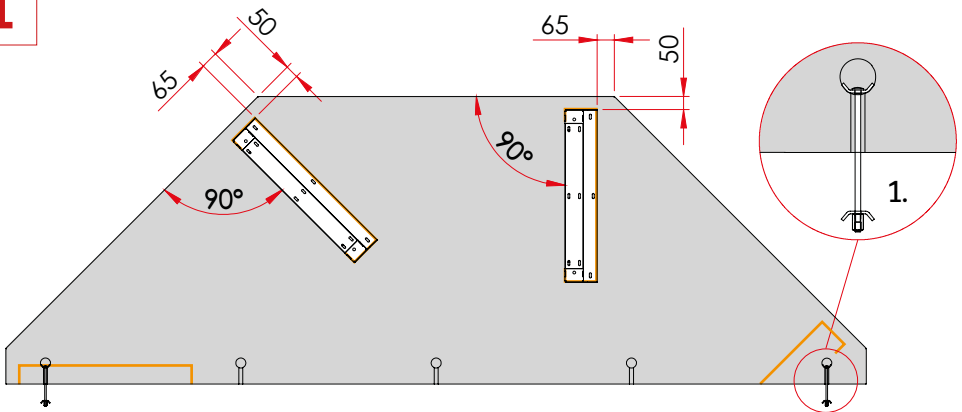
8



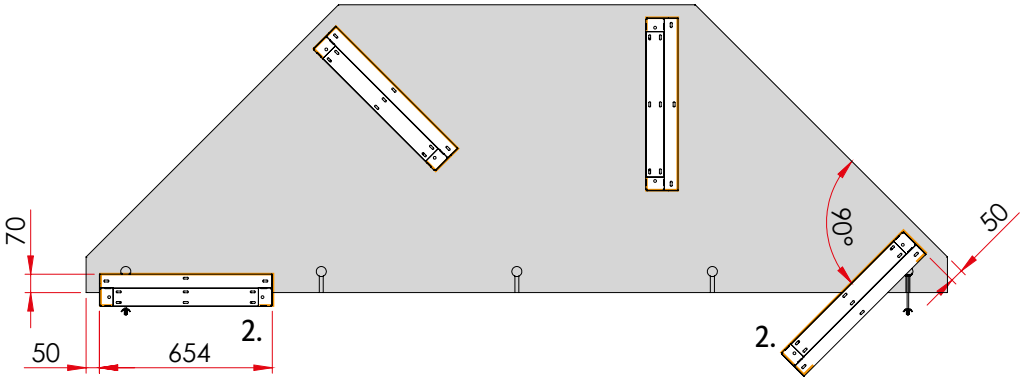
1

 SW13	A	16x Ø6mm	
	B	32x 6x30mm	
	C	16x 6x40mm	
	D	32x Ø6,6mm/ Ø22mm	
	E	10x	

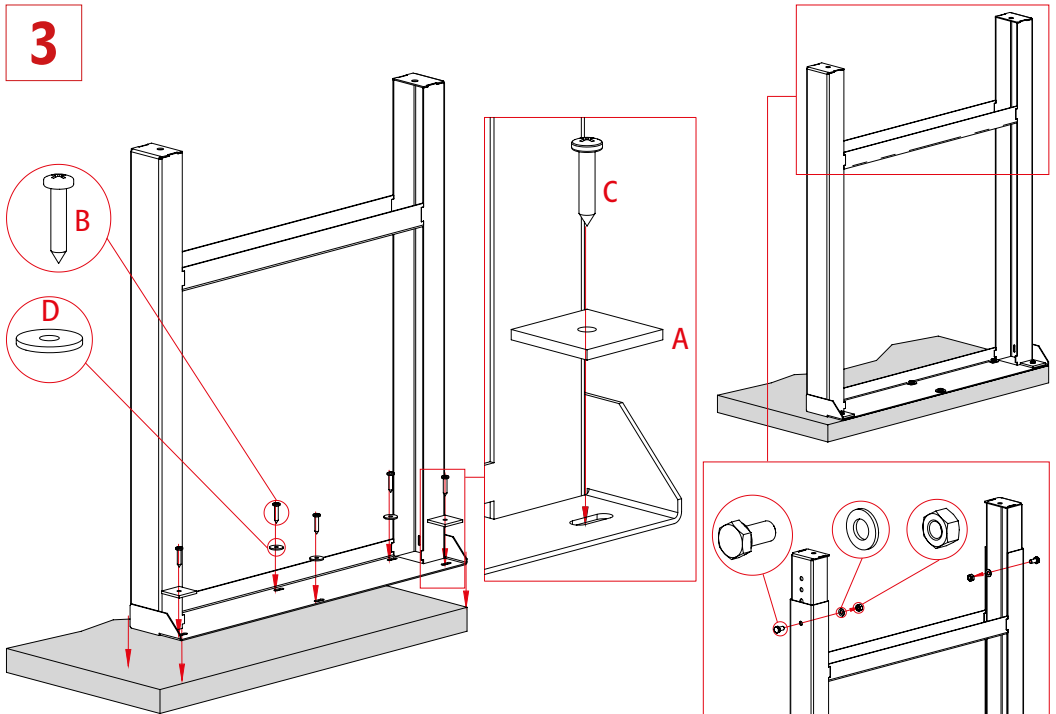
1

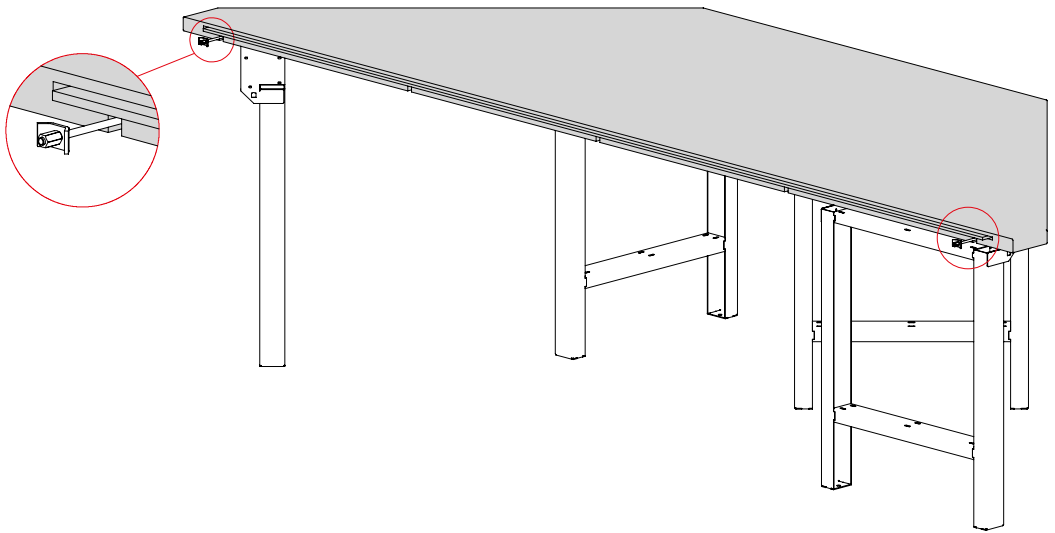


2

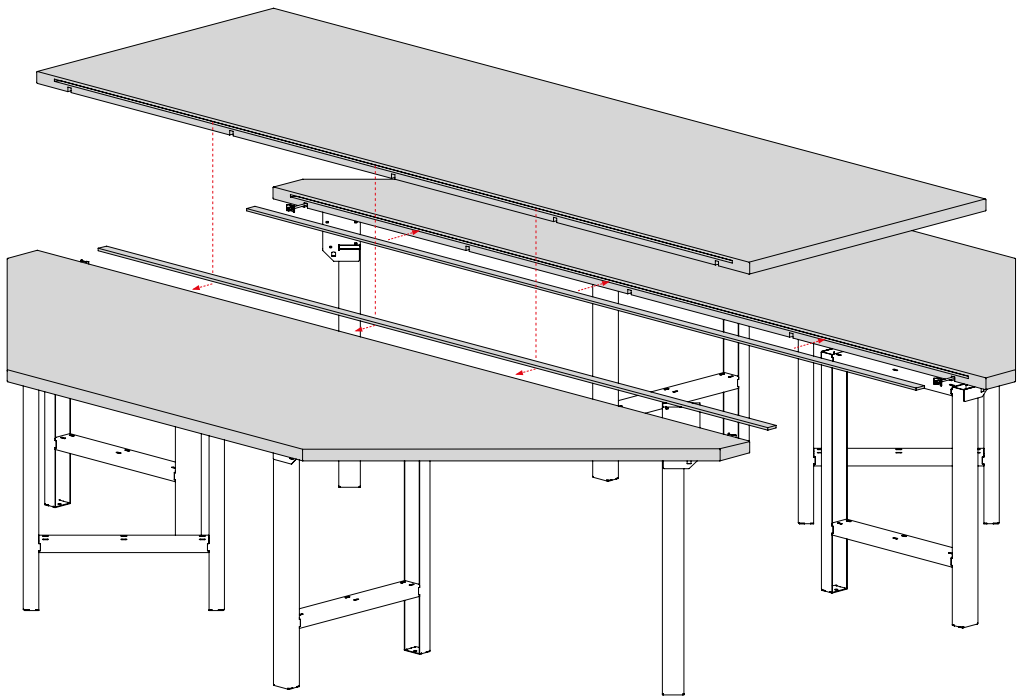


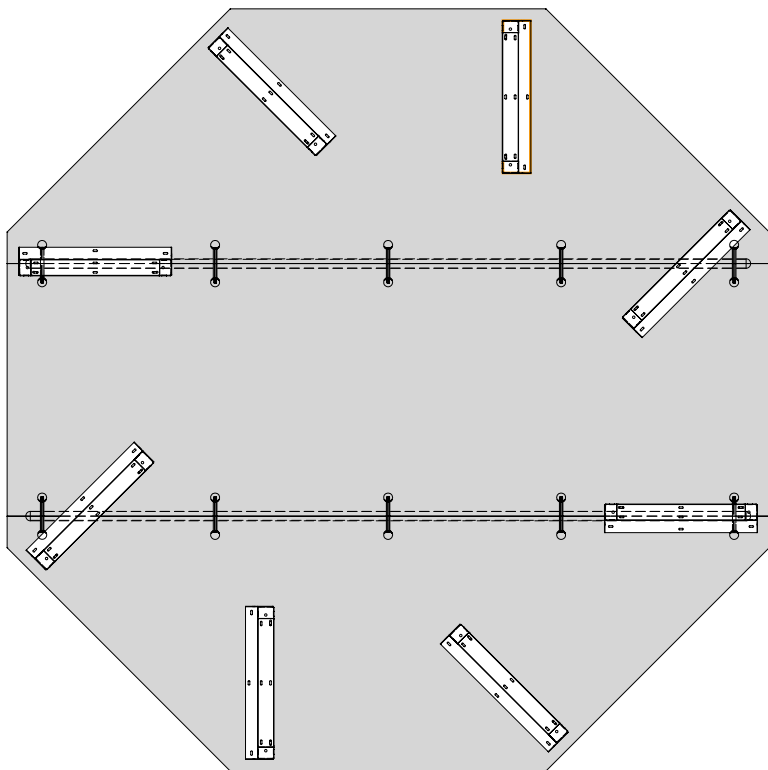
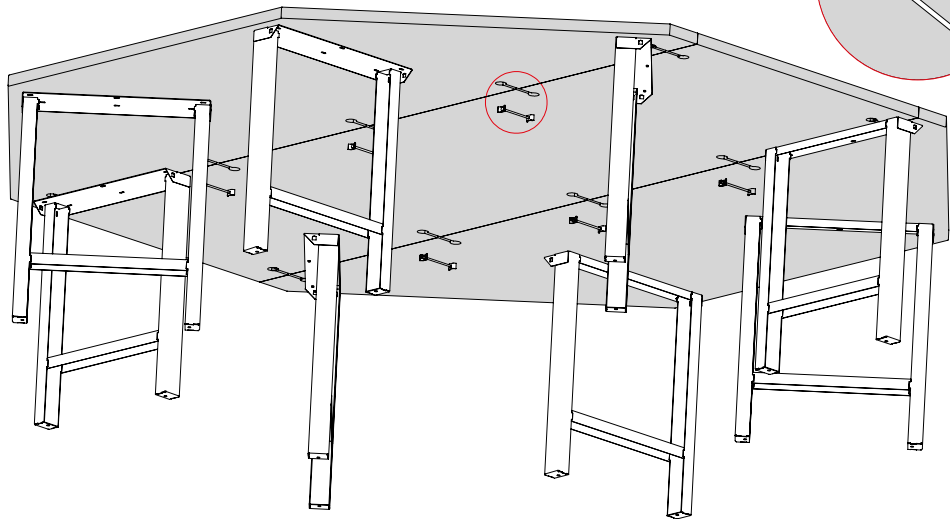
3





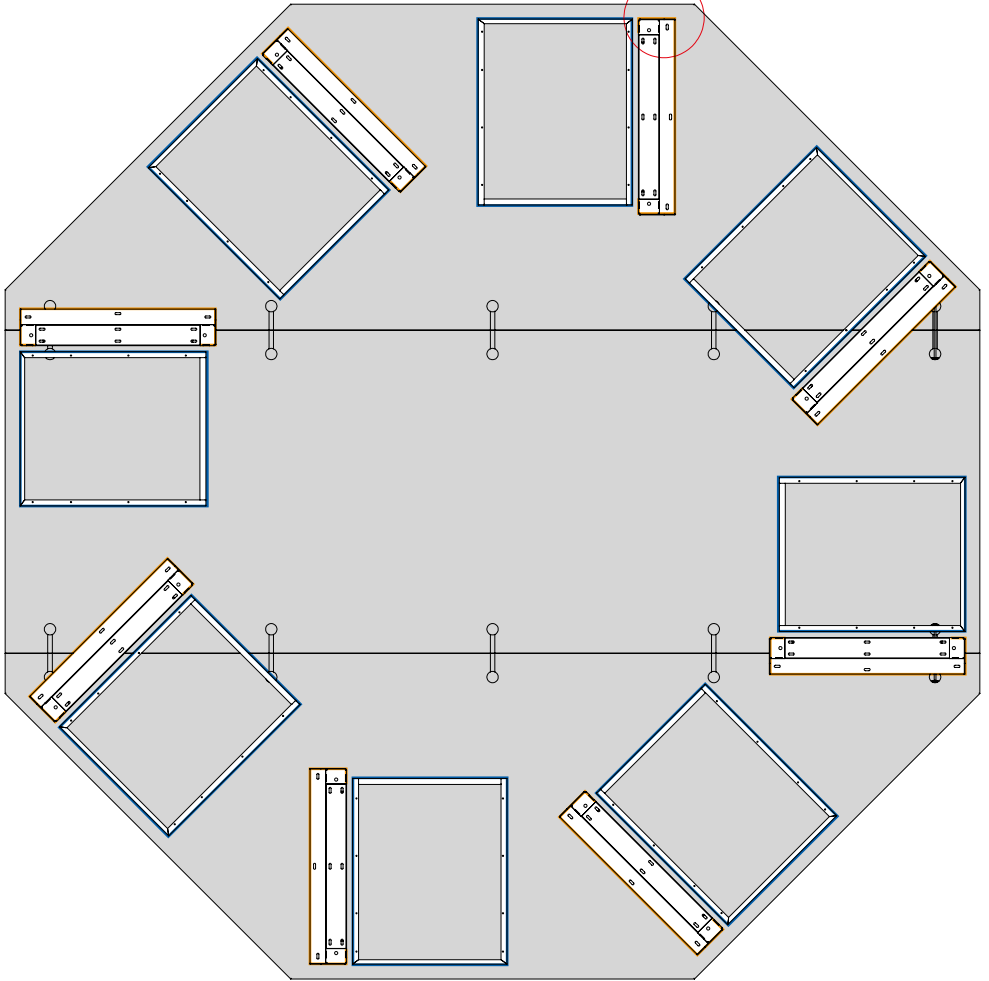
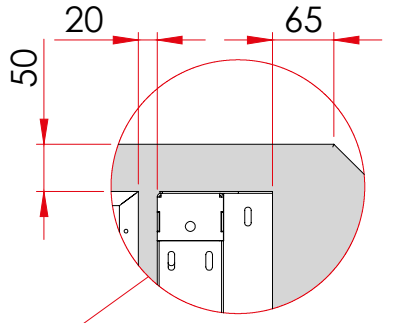
4





2

1

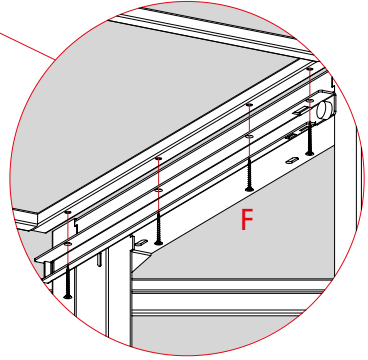
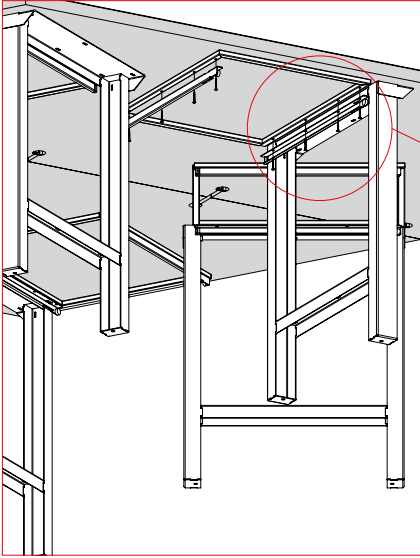
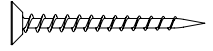


2

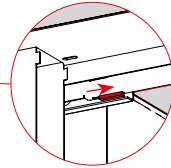
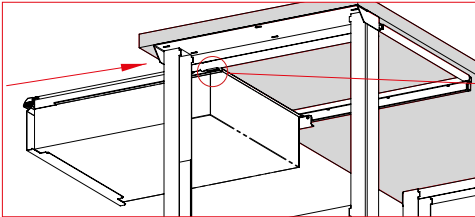


F

64x 3,5x35mm

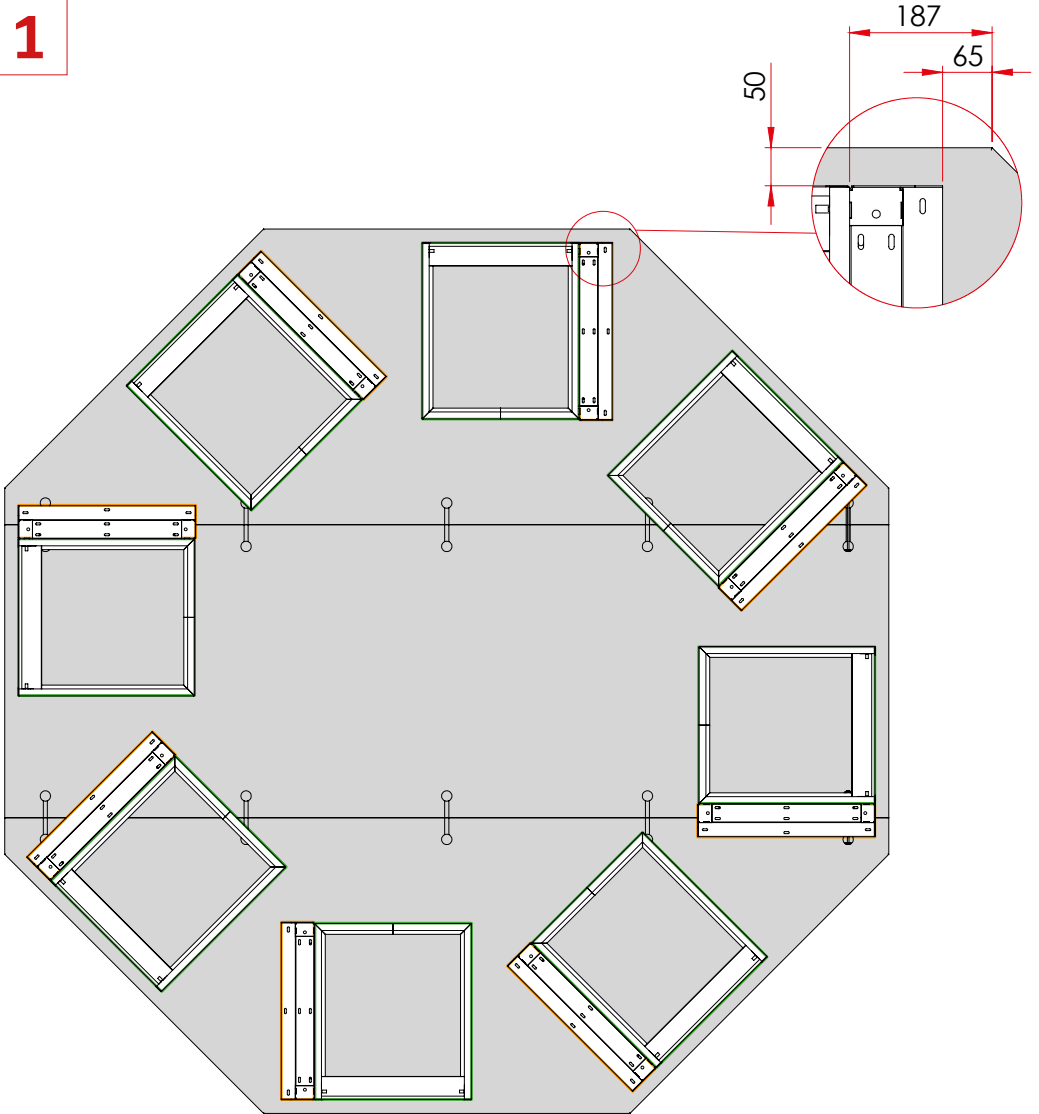


3



3

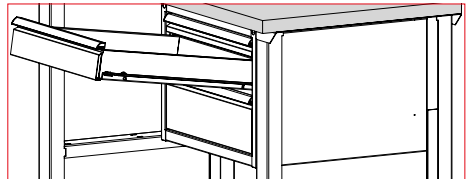
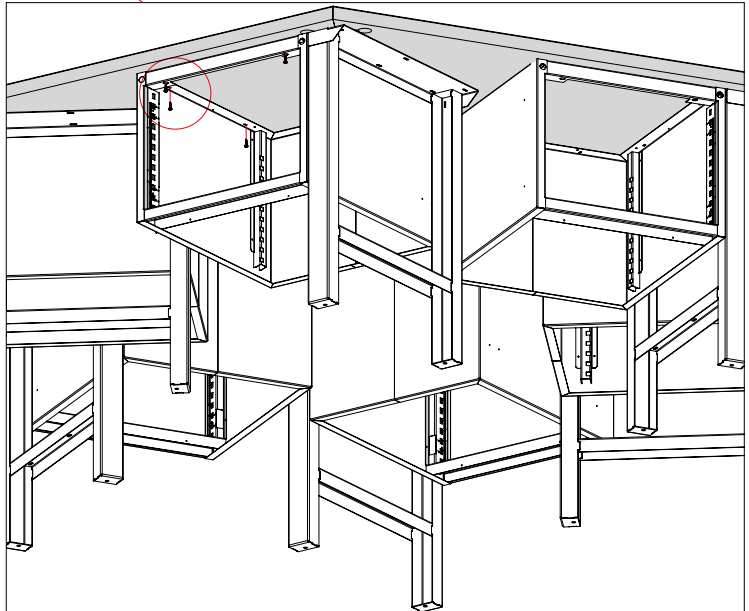
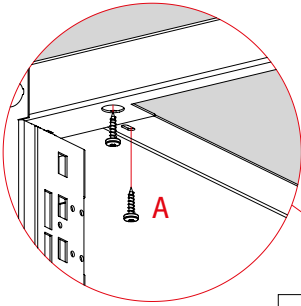
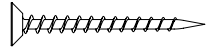
1



2

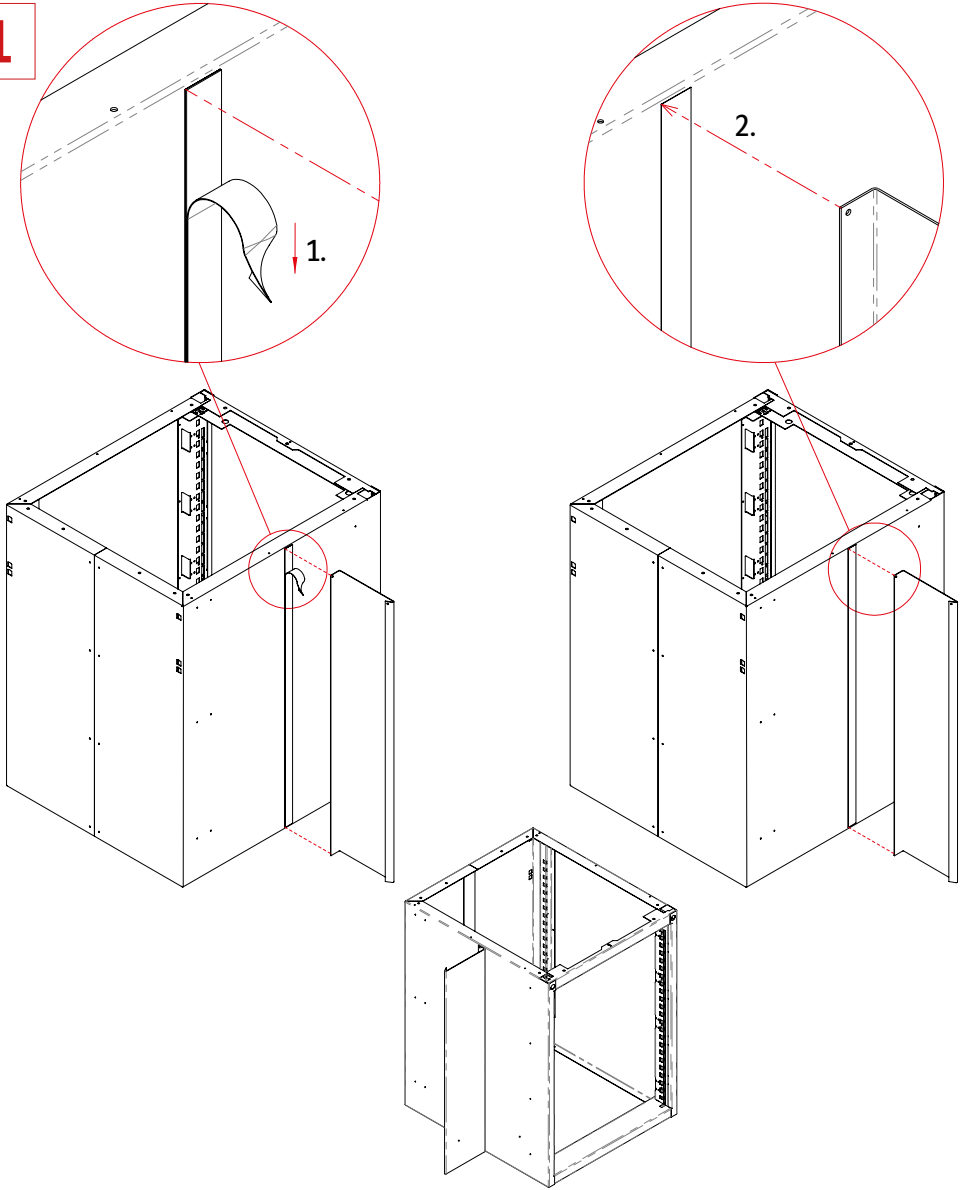


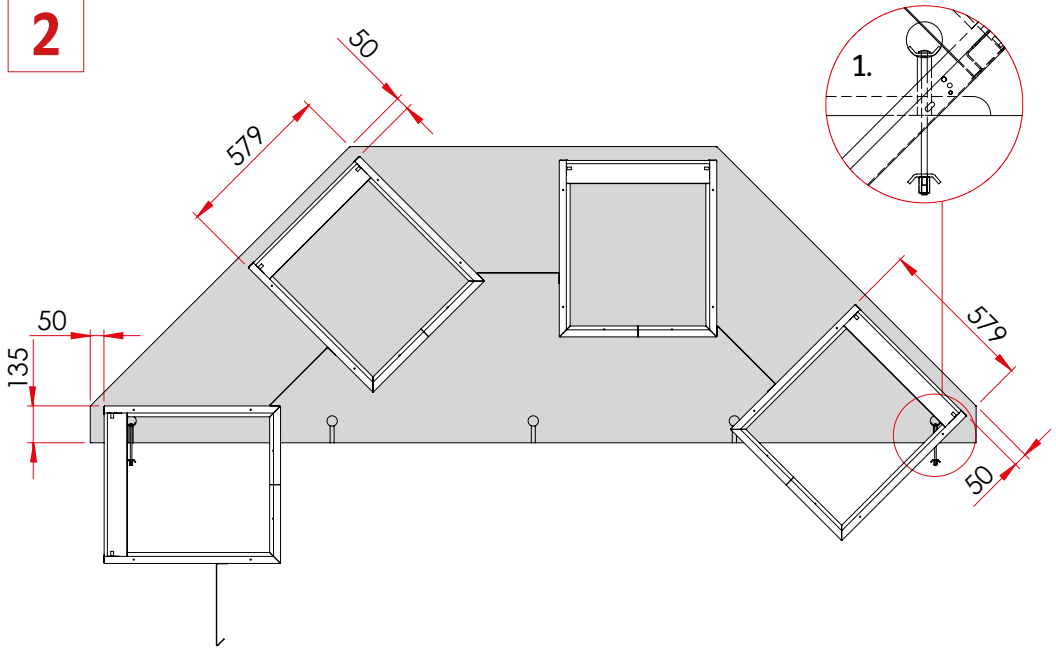
F 64x 3,5x35mm


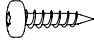




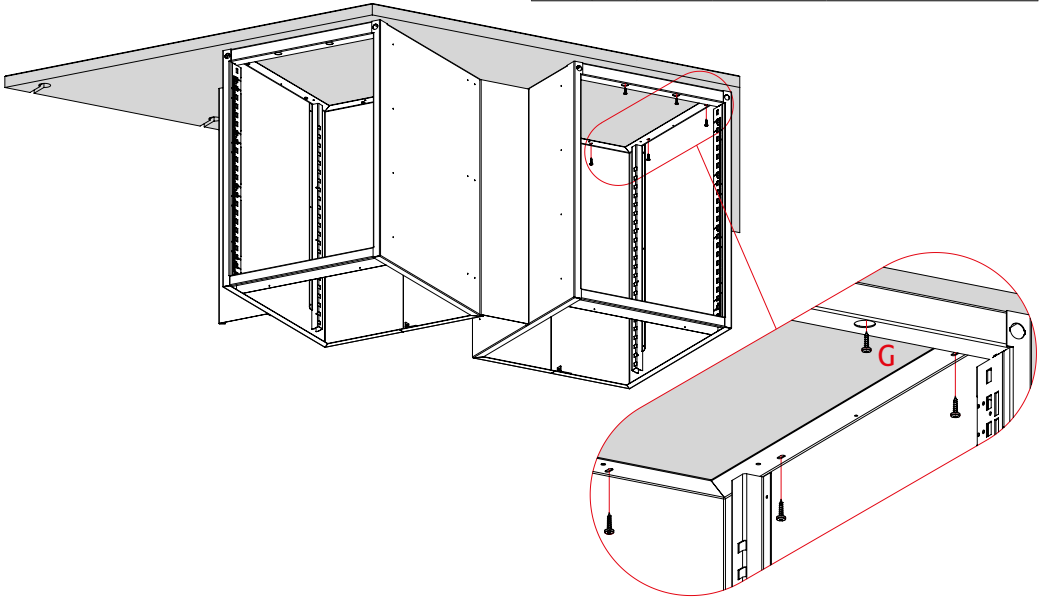
4

1

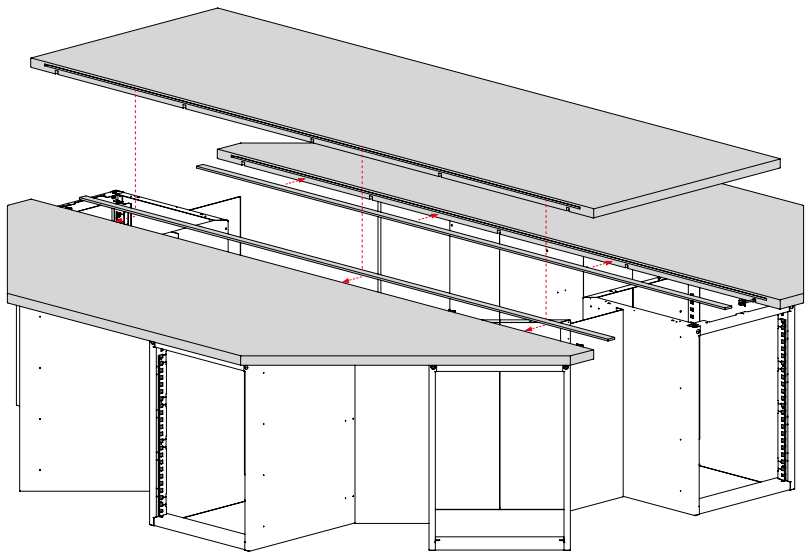


2**3**

	G 56x 5x20mm	
	E 10x	



4



5

